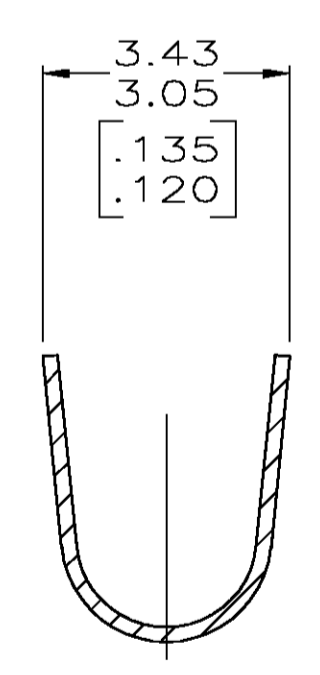
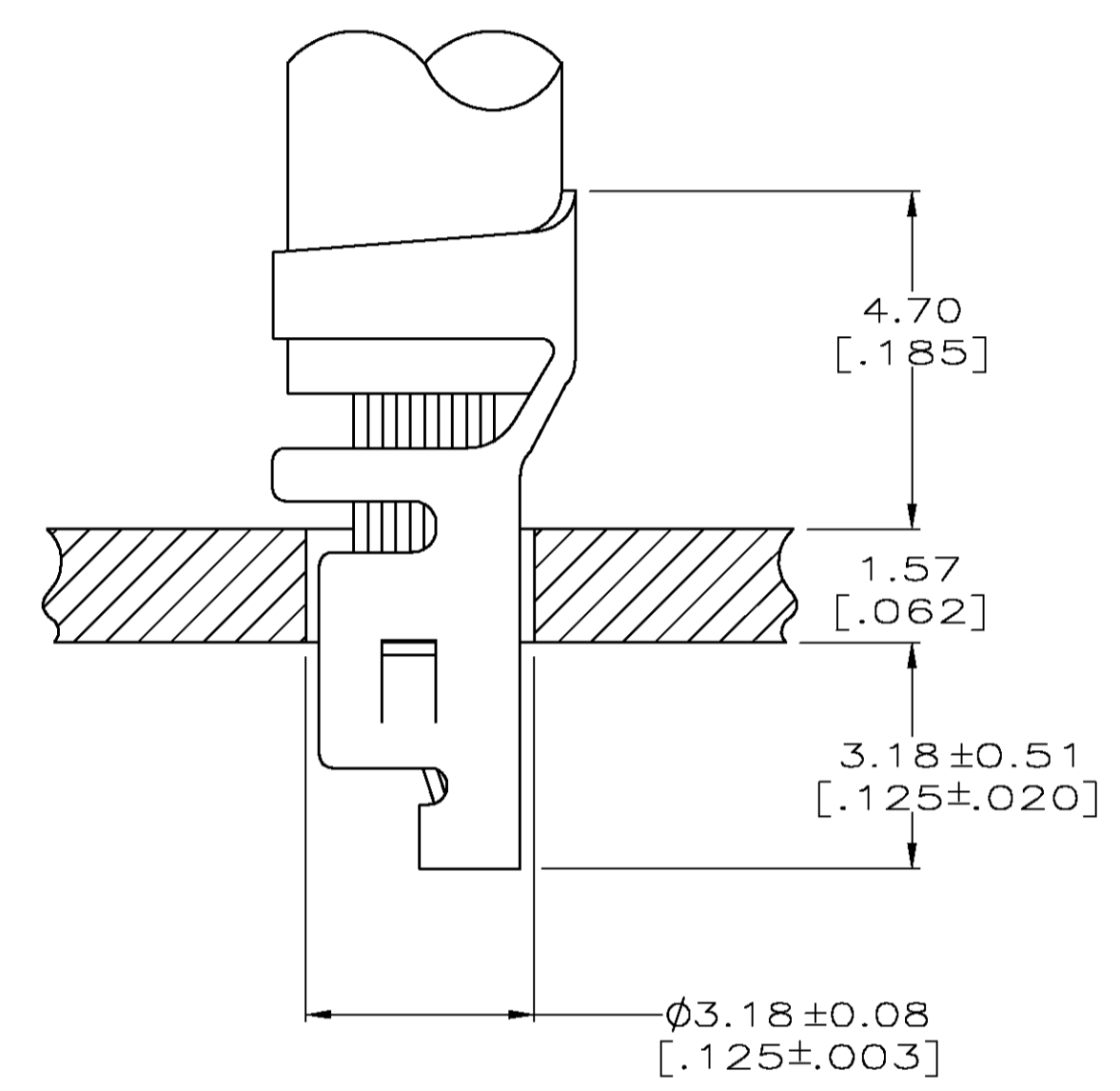
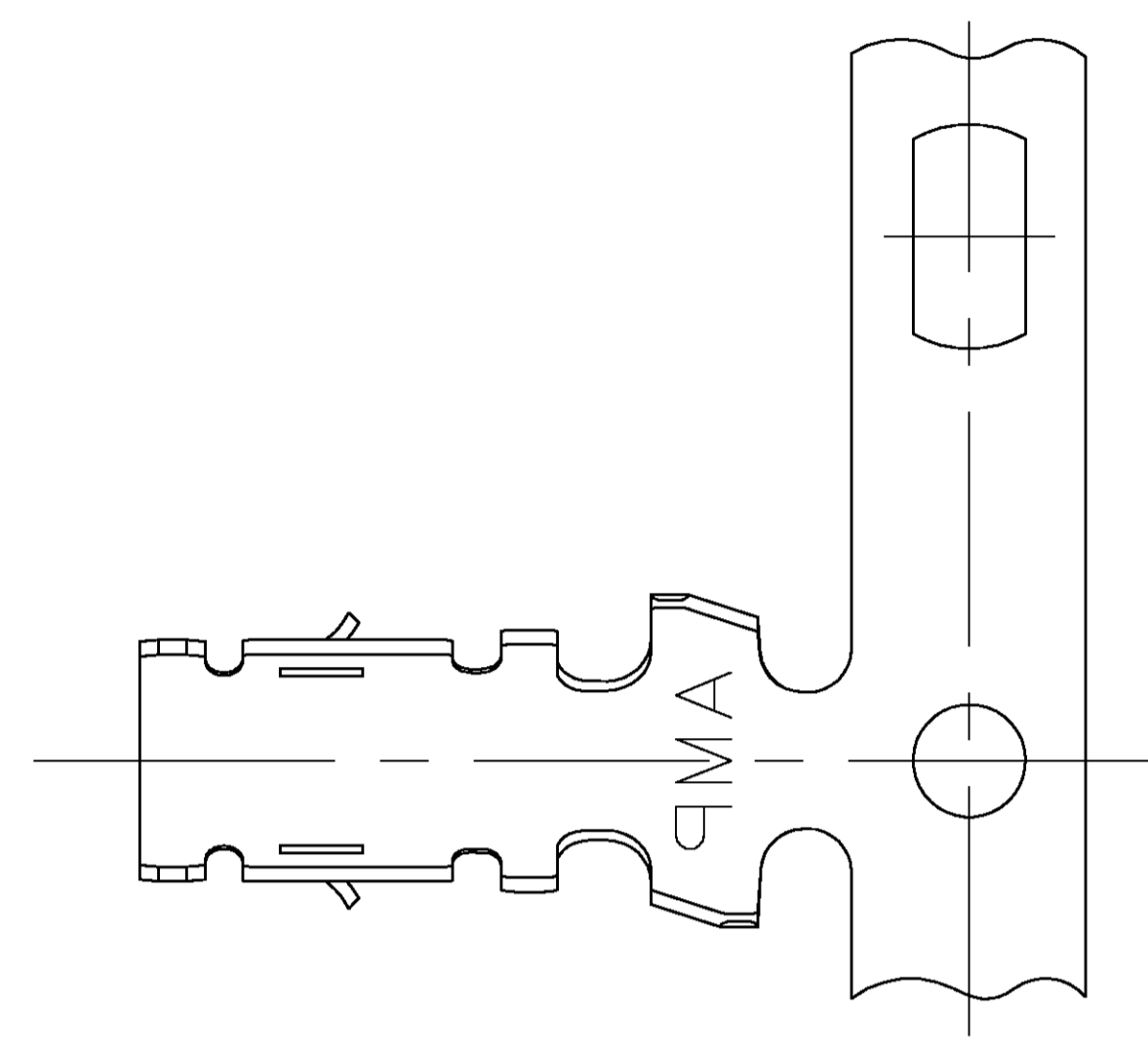
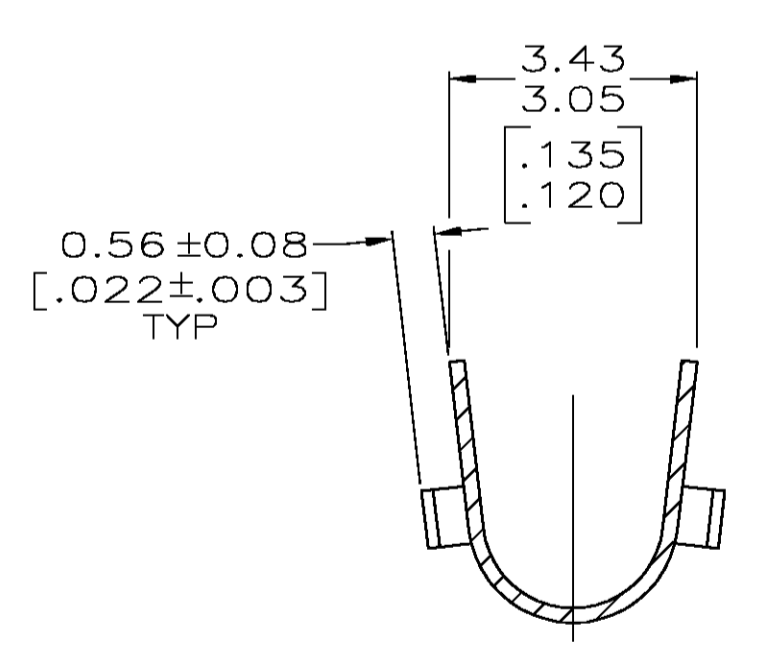


| LOC |    | DIST                     |         | REVISIONS |      |  |  |
|-----|----|--------------------------|---------|-----------|------|--|--|
| P   | LR | DESCRIPTION              | DATE    | DRN       | APVD |  |  |
| B   |    | REVISED PER 063B-0900-04 | 13OCT04 | KW        | JE   |  |  |

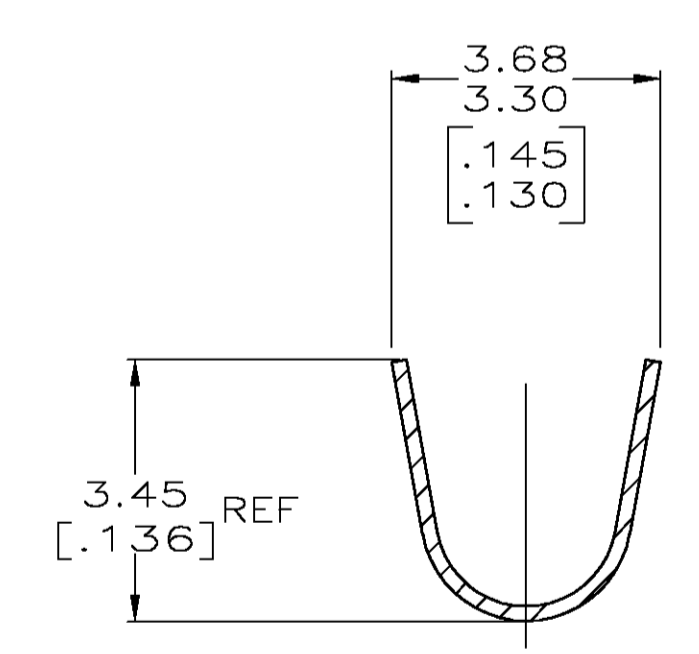
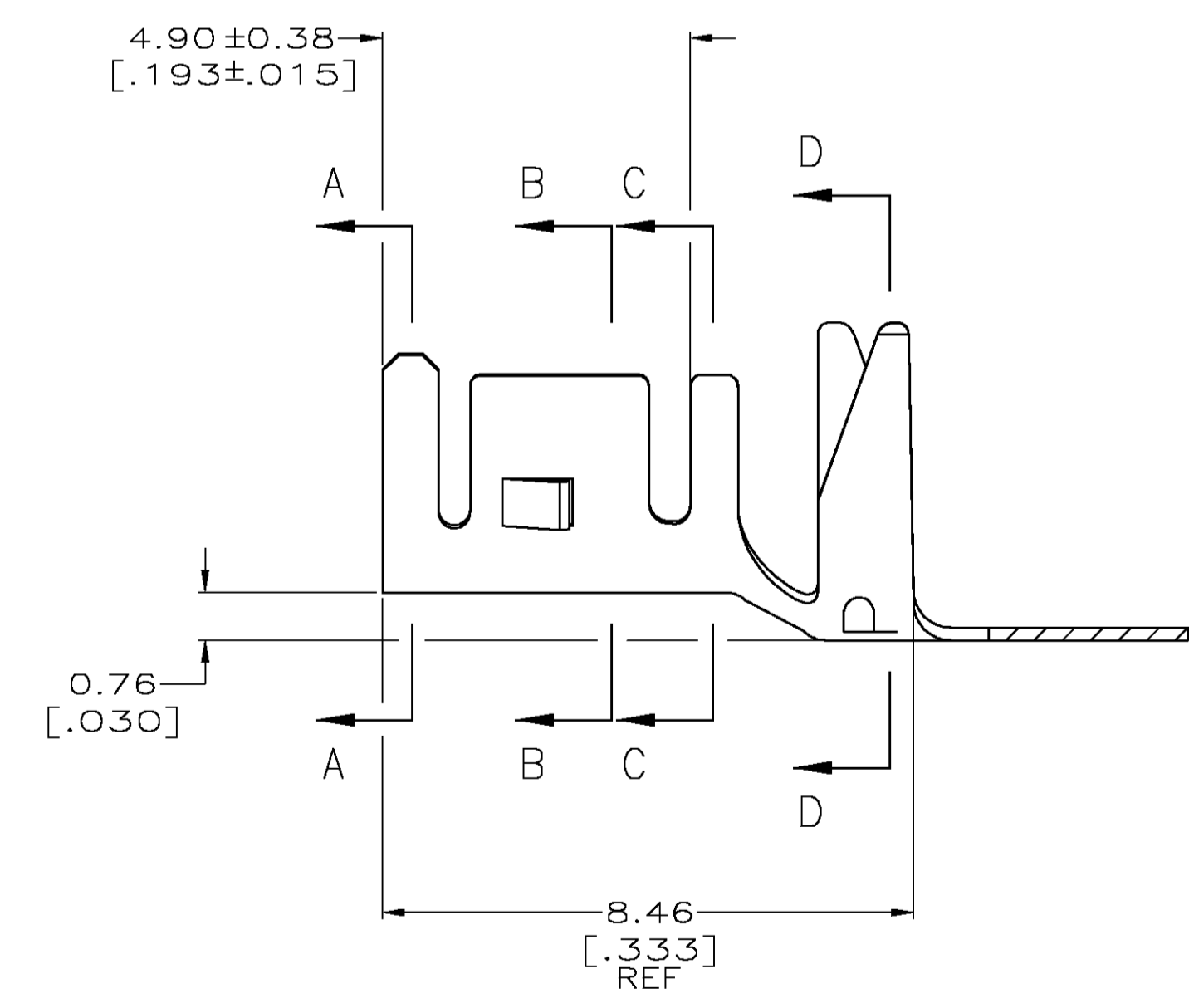
- PARTS MUST COMPLY WITH AMP SOLDERABILITY SPECIFICATION 109-11-3.
- WIRE RANGE: 0.8 - 2.0 mm<sup>2</sup> [18 - 14 AWG].
- INSULATION RANGE: 2.29 - 3.81 [.090 - .150] DIAMETER
- FITS A 1.57 [.062] THICK P.C. BOARD.



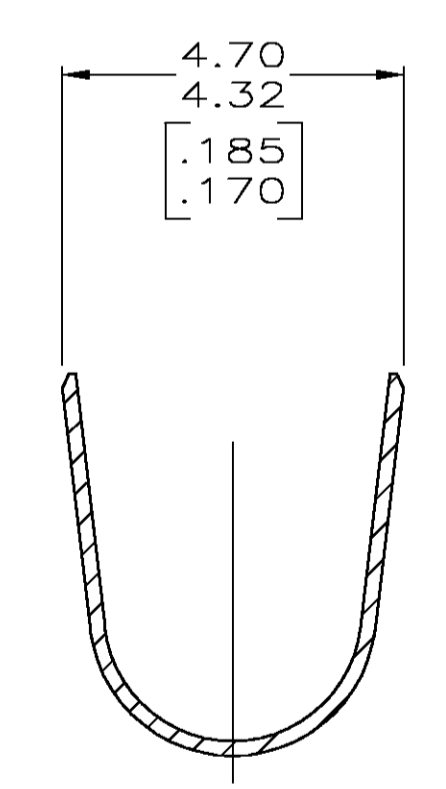
SECTION A-A



SECTION B-B



SECTION C-C



SECTION D-D

|           |                                   |                      |             |
|-----------|-----------------------------------|----------------------|-------------|
| YES       | 0.00508 [.000200] BRIGHT TIN      | 0.198 [.0078] PH BRZ | 3-647334-1  |
| NO        | 0.00508 [.000200] BRIGHT TIN-LEAD | 0.198 [.0078] PH BRZ | 647334-1    |
| LEAD FREE | FINISH                            | MATERIAL             | PART NUMBER |

**METRIC**

THIS DRAWING IS A CONTROLLED DOCUMENT.

|                     |  |                            |                         |                          |  |
|---------------------|--|----------------------------|-------------------------|--------------------------|--|
| DIMENSIONS: mm      | TOLERANCES UNLESS OTHERWISE SPECIFIED: | DRN: K. WHITAKER 13OCT2004 | CHK: J. ELLIS 13OCT2004 | APVD: J. ELLIS 13OCT2004 | NAME: Tyco Electronics Corporation, Greensboro, NC 27409 |
| 0 PLC ± -           | 1 PLC ± -                              | 2 PLC ± -                  | 3 PLC ± 0.13 [.005]     | 4 PLC ± -                | ANGLES ± ± °   |
| MATERIAL: SEE TABLE | FINISH: SEE TABLE                      | WEIGHT: -                  | SIZE: A1                | CAGE CODE: 00779         | DRAWING NO: C=647334                                     |
| CUSTOMER DRAWING    |  |                            | SCALE: 10:1             | SHEET: 1 OF 1            | REV: B   |

RESTRICTED TO